

VG6Z1626AC-MPYIR

6X 16mm -96mm F2.6 Day & Night

for 1.1 type 12 Megapixel Cameras, Motorized Vari-focal, Stepping Motor Iris

Analog interface, C-Mount

Optical Specifications

Model No.		VG6Z1626AC-MPYIR		Min. Objective Distance		3m from front of lens	
Focal Length		16mm - 96mm		Effective Lens Aperture		Front:φ43.0mm Rear:φ15.4mm	
F-Number		F2.6 - F16C		Back Focal Length (W/T)		13.9mm (in Air)	
Max. Image Format		14.2mm x 10.4mm (φ17.6mm)		Flange Back Length		17.526mm (In Air)	
Angle of View	Diagonal	1.1 type	58.9° ~ 10.4°	1 type	54.1° ~ 9.5°	2/3 type	37.8° ~ 6.7°
	Horizontal	14.2mm x 10.4mm	48.1° ~ 8.5°	14.2mm x 7.5mm	48.1° ~ 8.5°	8.8mm x 6.6mm	30.3° ~ 5.4°
	Vertical	(φ17.6mm)	35.6° ~ 6.3°	(φ16.0mm)	25.7° ~ 4.5°	(φ11.0mm)	22.8° ~ 4.0°

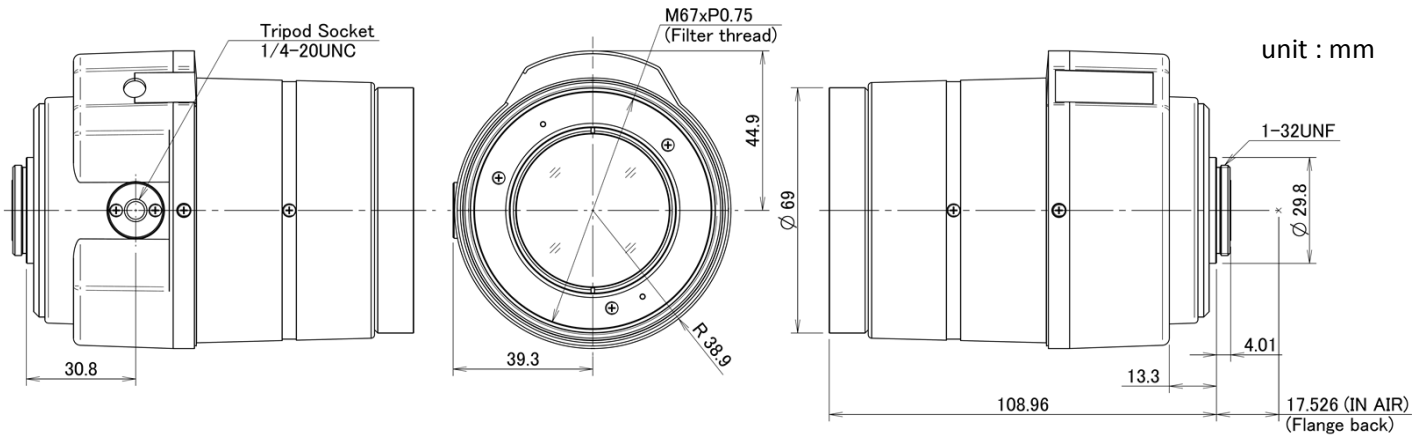
Mechanical Specifications

Dimensions	As per the attached drawing	Mount	C-mount
Weight	330g	Tripod Screw	1/4-20UNC
Filter thread	M67xP0.75	Operating Temperature	-20°C - +60°C (TBD)

Electrical Specifications

Control Interface	As per the attached wire diagram	Supply Voltage	DC5V
Connector	Wire	Control Input Voltage	DC6-12V
		Pot Output Voltage	DC0-5V

Dimensions



Wire Diagram

Discription	Color	Input Voltage
Supply Voltage	Red	DC 5V
GND	Black	-

Discription	Color	Input Voltage
Zoom Tele	Yellow	DC 6V-12V
Zoom Wide	Red	DC 6V-12V
Focus Near	Green	DC 6V-12V
Focus Far	Black	DC 6V-12V
Iris Open	White	DC 6V-12V
Iris Close	Brown	DC 6V-12V

Discription	Color	Output Voltage
Zoom Pot. Out	GRAY	DC 0V-5V
Focus Pot. Out	BLUE	DC 0V-5V
Iris Pot. Out	ORANGE	DC 0V-5V
GND	Black	-

