

# EL3Z0416UCS-MPWIR

**3X 4.0mm -10mm F1.6 Day & Night  
for 1/1.8 type 5M Cameras, Motorized Control Vari-focal  
USB interface, CS-Mount**

**Optical Specifications**

Model No.		EL3Z0416UCS-MPWIR		Min. Objective Distance		0.2m from front of lens	
Focal Length		4.0mm - 10mm		Effective Lens Aperture		Front:φ25mm Rear:φ10mm	
F-Number	Wide	F1.6 - F16C		Back Focal Length	Wide	8.5 mm (in Air)	
	Tele	F2.7 - F16C			Tele	8.5 mm (in Air)	
Max. Image Format		7.1mm x 5.4mm (φ8.9mm)		Flange Back Length		12.5mm (In Air)	
Angle of View	Diagonal	1/1.8 type	138.1° ~ 52.9°	1/1.8 type	138.1° ~ 52.9°	1/2.7 type	96.1° ~ 39.1°
	Horizontal	(16:9)	115.9° ~ 46.0°	(4:3)	104.8° ~ 42.2°	(16:9)	82.6° ~ 34.1°
	Vertical		61.7° ~ 25.8°		76.3° ~ 31.6°		45.3° ~ 19.1°
	Diagonal	1/2.8 type	92.9° ~ 37.9°	1/3 type	86.5° ~ 35.5°		
	Horizontal	(16:9)	79.9° ~ 33.0°	(4:3)	68.1° ~ 28.4°		
	Vertical		43.9° ~ 18.5°		50.5° ~ 21.3°		

**Mechanical & Electrical Specifications**

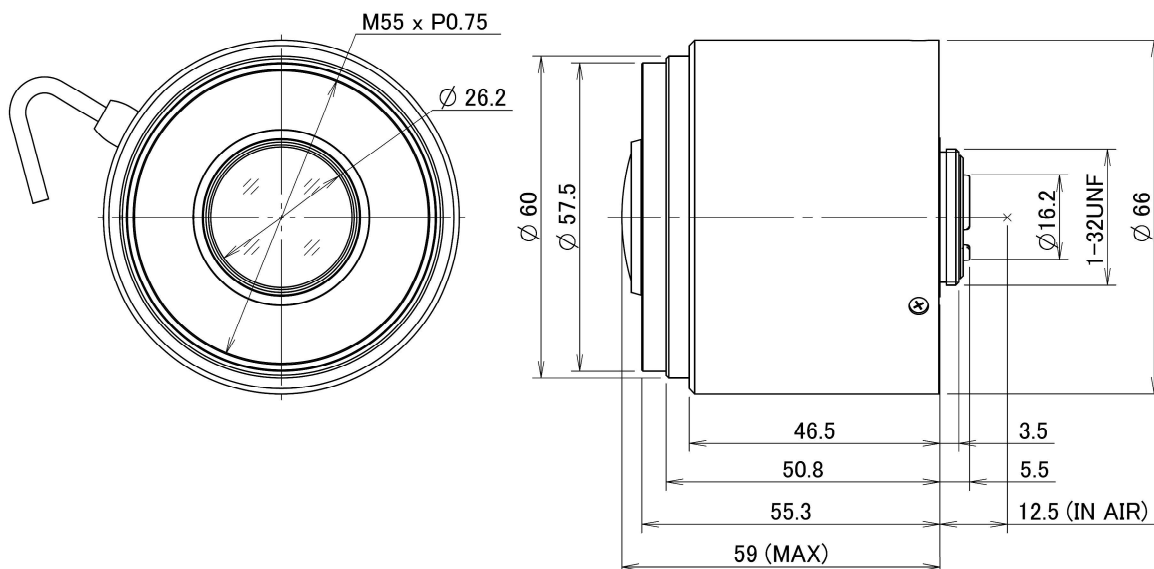
Control Interface		USB2.0		Dimensions		As per the attached drawing	
Power mode		Bus power (500mA)		Mount		CS mount	
Connector		USB TypeA		Weight		161g	
Operating Temperature		-20°C - +60°C		Tripod Screw		-	
Control	Iris	Motorized		Filter thread		*M55 x P0.75 (With VM0418)	
	Focus	Motorized					
	Zoom	Motorized					

(\*)Adapting for between 6mm and 10mm.

(\*)For using filters, please attach VM0418 (Sold Separately)

**Dimensions**

unit:mm



**Length of Wire**

300±20 (mm)