

EL6Z0915UCS-MPWIR

**6X 9mm - 50mm F1.5 Day & Night
for 1/1.8 type Megapixel Cameras, Motorized Control Vari-focal
USB interface, CS-Mount**

Optical Specifications

Model No.		EL6Z0915UCS-MPWIR		Min. Objective Distance		3m from front of lens	
Focal Length		9mm - 50mm		Effective Lens Aperture		Front:φ44.7mm Rear:φ9.6mm	
F-Number	Wide	F1.5 - F16C		Back Focal Length	Wide	9.2 mm (in Air)	
	Tele	F1.6 - F16C			Tele	9.2 mm (in Air)	
Max. Image Format		7.1mm x 5.4mm (φ8.9mm)		Flange Back Length		12.5mm (In Air)	
Angle of View	Diagonal	1/1.8 type (16:9)	52.5°~ 10.2°	1/1.8 type (4:3)	52.5°~ 10.2°	1/2.7 type (16:9)	39.4°~ 7.7°
	Horizontal		46.1°~ 9.0°		42.3°~ 8.2°		34.5°~ 6.7°
	Vertical		26.3°~ 5.2°		32.4°~ 6.3°		19.5°~ 3.8°
	Diagonal	1/2.8 type (16:9)	38.5°~ 7.5°	1/3 type (4:3)	35.9°~ 7.0°		
	Horizontal		33.7°~ 6.6°		28.8°~ 5.7°		
	Vertical		19.1°~ 3.8°		21.7°~ 4.3°		

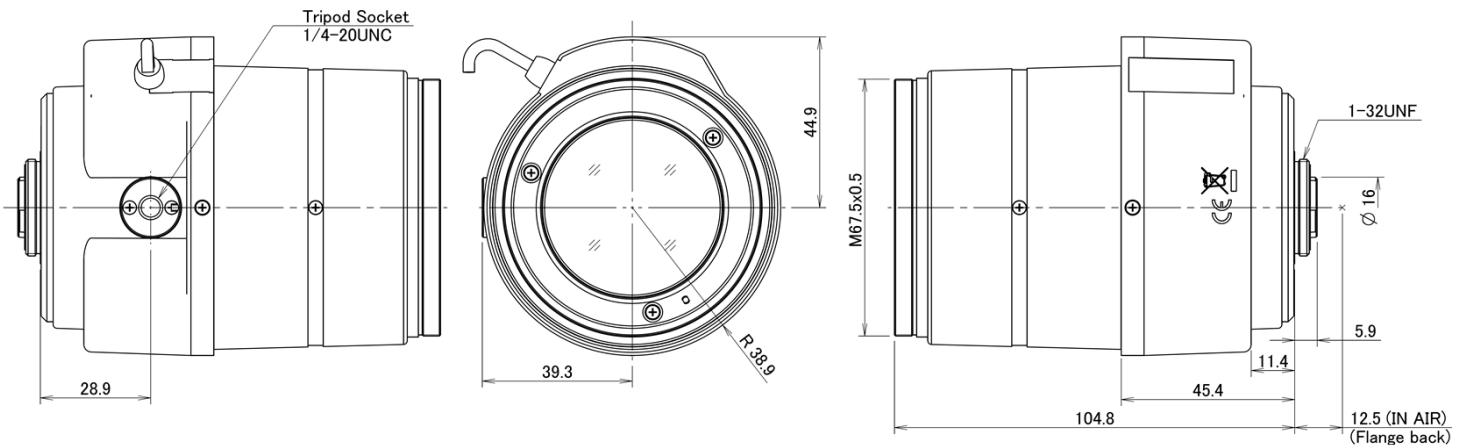
Mechanical & Electrical Specifications

Control Interface		USB2.0	Dimensions	As per the attached drawing
Power mode		Bus power (500mA)	Mount	CS mount
Connector		USB TypeA	Weight	299g
Operating Temperature		-20°C - +60°C	Tripod Screw	1/4 -20UNC
Control	Iris	Motorized	Filter thread	*M67xP0.75 (With VM0918)
	Focus	Motorized		
	Zoom	Motorized		

(*)For using filters, please attach VM0918 (Sold Separately).

Dimensions

unit:mm



Length of Wire

300±20 (mm)