

# VL0826U-MPZ

**f=8mm F2.6**

**for 1 Type 20Megapixel cameras, Motorized Control Fixed-focal  
USB interface, C-Mount**

**Optical Specifications**

Model No.		VL0826U-MPZ		Effective Lens Aperture		Front:φ49.4mm Rear:φ15.1mm	
Focal Length		8mm		Back Focal Length		10.6mm (In Air)	
Operation Range	Iris	F2.6 - F16.0		Flange Back Length		17.526mm (In Air)	
	Focus	0.1m - Inf.		Max. Image Format		12.8mm x 9.6mm(φ16mm)	
Object Dimension at M.O.D.	1 Type	189.9mm x 140.0mm		Distortion	1 Type	-0.8%	
	2/3 Type	127.8mm x 94.8mm			2/3 Type	-2.1%	
	1/1.8 Type	103.7mm x 77.2mm			1/1.8 Type	-1.9%	
Angle of View	D	1 Type	88.8°	2/3 Type	68.6°	1/1.8 Type	58.2°
	H		76.9°		57.1°		47.8°
	V		61.5°		44.2°		36.6°

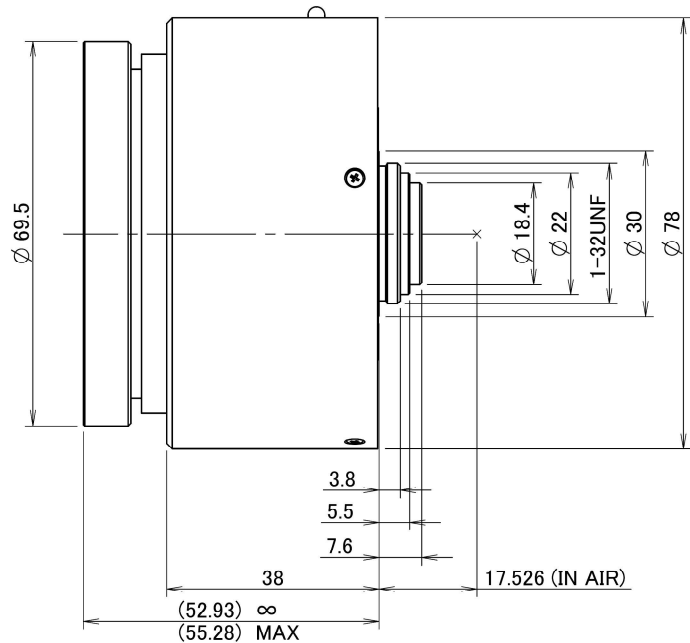
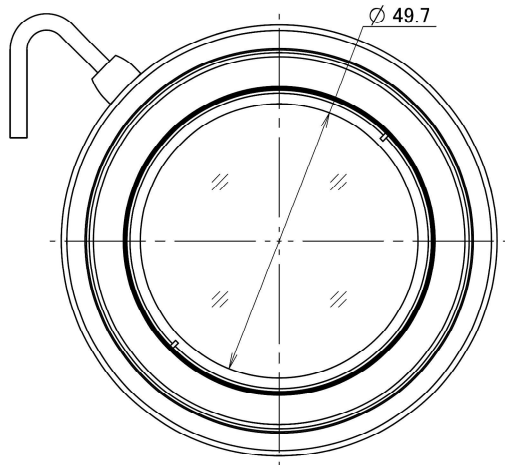
**Mechanical & Electrical Specifications**

Control Interface		USB2.0	Dimensions		As per the attached drawing	
Power mode		Bus powerd (500mA)	Mount		C-Mount	
Connector		USB TypeA	Weight		334g	
Operating Temperature		-10°C - +50°C	Tripod Screw		-	
Control	Iris	Motorized	Filter thread		*M82 x P0.75mm (With ZM0810)	
	Focus	Motorized				

(\* )For using filters, please attach VM0810 (Sold Separately)

Dimensions

Unit:mm



Length of Wire

300±20 (mm)

This specification is subject to change without any notice.