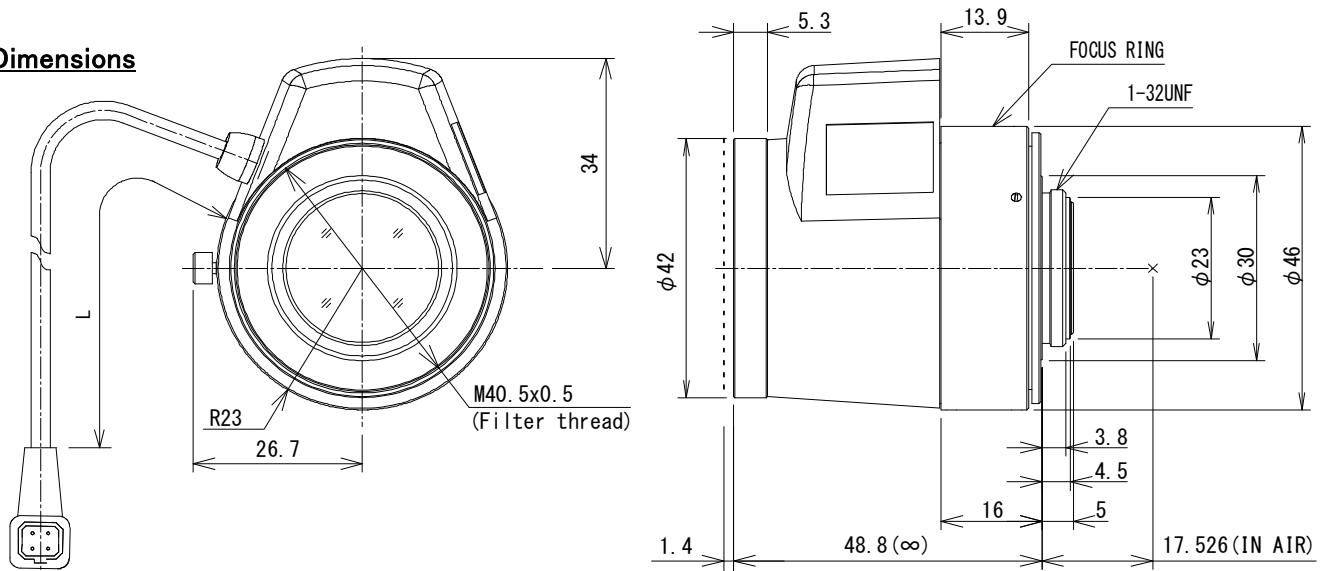


VG3518KC-MPYIR

f=35mm F1.8 Day & Night
for 1.1 type 12Megapixel Cameras, Fixed-focal, Stepping Motor Iris
C-Mount

Model No.		VG3518KC-MPYIR		Effective	Front	φ 23.9mm	
Focal Length		35mm		Lens Aperture	Rear	φ 17.8mm	
Max. Aperture Ratio		1:1.8		Back Focal Length		14.2mm	
Max. Image Format		14.2mm x 10.4mm (φ 17.6mm)		Flange Back Length		17.526mm	
Operation Range	Iris	F1.8 - F16C		Mount		C-Mount	
	Focus	2m - Inf.		Filter Size		M40.5 P=0.5	
	Zoom	-		Dimensions		φ 42mm × 57mm × 48.8mm	
Control	Iris	Stepping Motor		Weight		123.1g	
	Focus	Manual					
	Zoom	-					
Angle of View	D	1.1 type	27.4°	1 type	25.1°	2/3 type	17.4°
	H		22.3°		20.2°		14.0°
	V		16.5°		15.2°		10.5°
Operating Temperature		-10°C - +50°C					

Dimensions



Wiring Diagram

