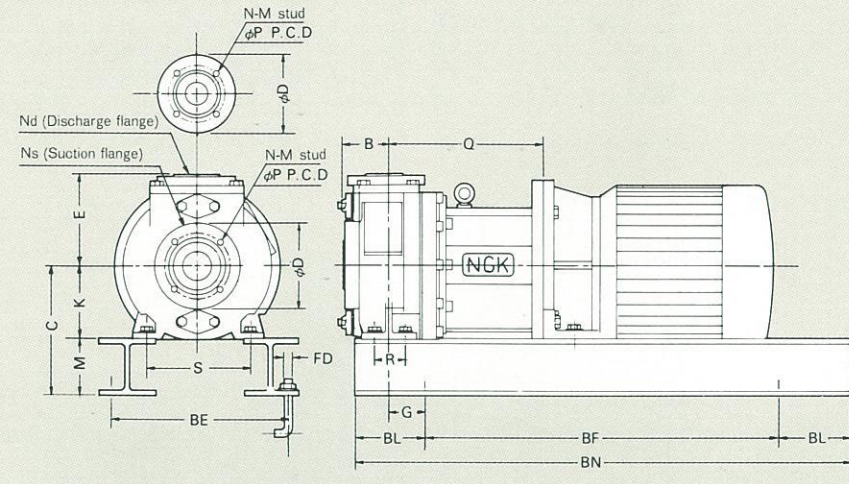


DIMENSIONS



Flange dimensions

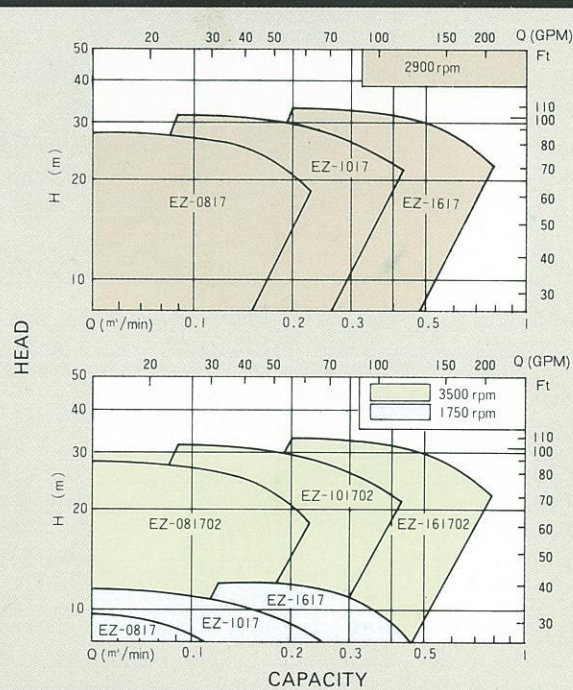
| Size | JIS 10kg/cm ² | DIN ND 16 |
|------|-----------------------------|--------------|
| 25 | D | 125 |
| | N | 4 |
| | M | M 12 |
| | P | 90 |
| 40 | D | 140 |
| | N | 4 |
| | M | M 12 |
| | P | 105 |
| 50 | D | 155 |
| | N | 4 |
| | M | M 12 |
| | P | 120 |
| 80 | D | 185 |
| | N | 8 |
| | M | M 12 |
| | P | 150 |

D : Flange outside dia.
N : Numbers of stud dia.
M : Bolt size
P : Pitch circle of bolt

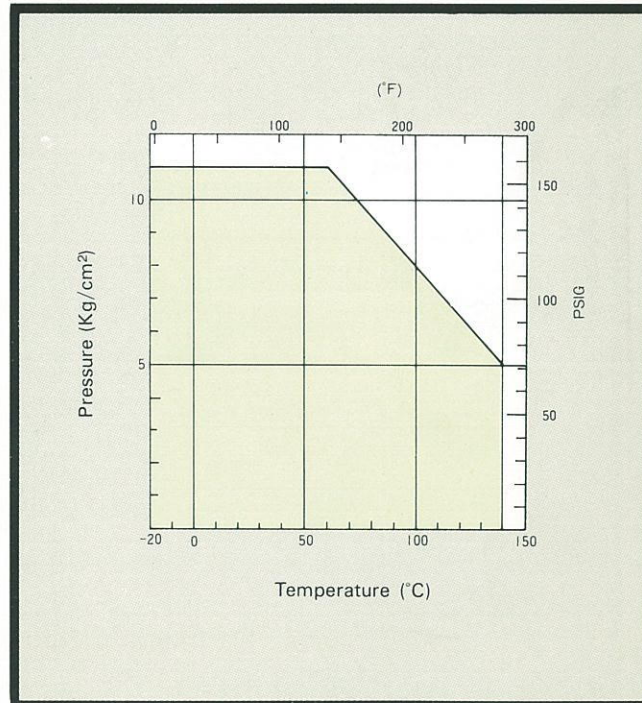
(mm)

| Type | B | Q | K | E | M | C | S | R | G | BL | BF | BN | BE | FD | Flange nominal size | |
|---------|-----|-------|-----|-----|-----|-----|-----|----|----|-----|-----|-----|-----|-----|---------------------|----|
| | | | | | | | | | | | | | | | Ns | Nd |
| EZ-0817 | 80 | 263.5 | 132 | 160 | 100 | 232 | 190 | 70 | 80 | 150 | 600 | 900 | 310 | M16 | 40 | 25 |
| EZ-1017 | 80 | 283.5 | 132 | 160 | 100 | 232 | 190 | 70 | 80 | 150 | 600 | 900 | 310 | M16 | 50 | 40 |
| EZ-1618 | 100 | 300 | 160 | 180 | 100 | 260 | 212 | 70 | 80 | 150 | 600 | 900 | 332 | M16 | 80 | 50 |

CURVES



P-T RATING



NGK

CERAMIC MAGNETIC DRIVE CHEMICAL PUMP

NGK



EZ Series

- SEAL LESS
- LEAK PROOF



NGK INSULATORS, LTD.

Industrial Ceramics Department

Mizuho, Nagoya, Japan
Cable: NGK INSULATOR NAGOYA
Telex: NGK J59928