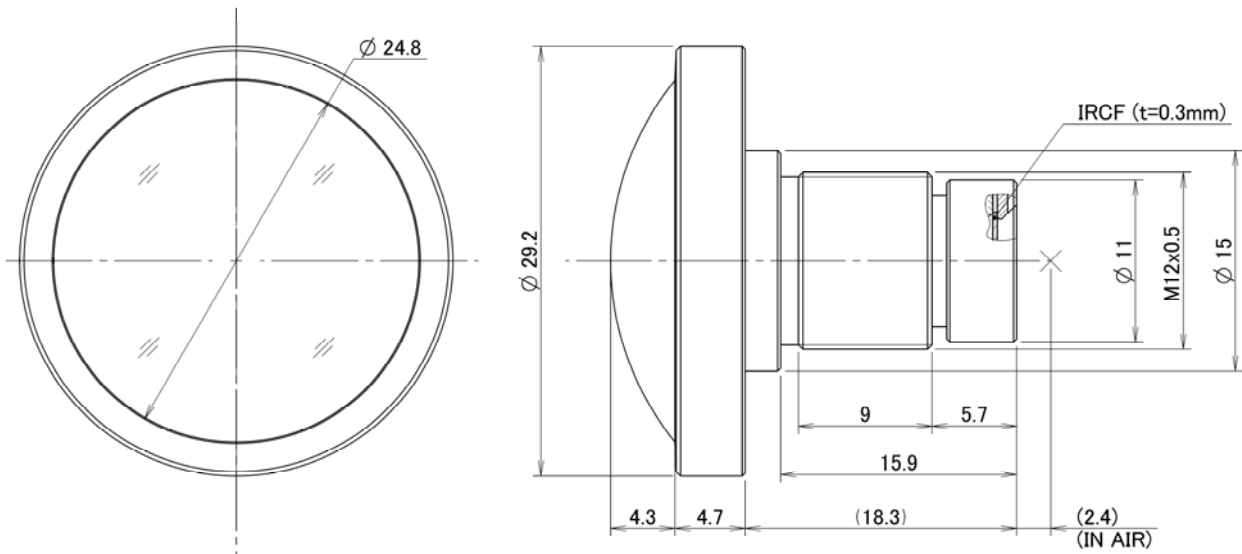


E1222KF3RY

f=1.2mm F2.2 Megapixel lens
for 1/1.7 type Format Board Cameras, Fisheye, No Iris

Model No.		E1222KF3RY		Effective Lens Aperture	Front	φ 24.4mm	
Focal Length		1.2mm			Rear	φ 5.7mm	
Max. Aperture Ratio		1 : 2.2		Back Focal Length		3.8mm (IRCF)	
Image Size at 185°		φ5.38mm		Flange Back Length		-	
Mount		M12 P=0.5mm		Dimensions		φ29.2mm x 27.3mm	
				Weight		16.7g	
Angle of View	D	1/1.7 type	-	1/3 type	-	1/4 type	164.2°
	H	Fisheye	-		171.5°		139.5°
	V		185.0°		139.5°		110.3°
Operating Temperature		-20°C - +60°C					

Dimensions



Unit:mm

ImmerVision Enables Compatible.

Specification is subject to change without any notice.

2017.07